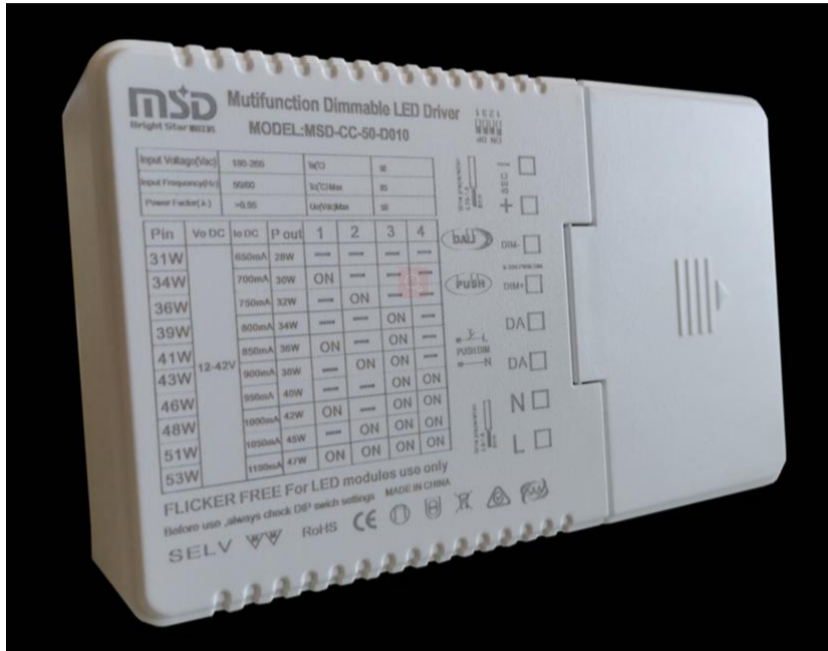


Multiple-Stage Constant Current Mode DALI,PUSH,0-10V,PWM dimming LED Driver



Features:

- The output current is constant with DIP switch selectable;
- Input voltage:180-265VAC,50/60HZ;
- Using active built-in PFC technology;
- Efficiency>85% PF>0.95;
- Protection:SCP/OVP/OLP;
- Comply with DALI V0 IEC60929 and DALI V1&V2 IEC62386 standards, fully compatible with Tridonic/Siemens/Philips/Feelux/KNX system;
- Support DALI/DALI2,PUSH,0-10V/1-10V,PWM,resistance dimming function;
- Fault feedback function
- Noise free,flicker free;
- CE/ROHS/SAA/TUV passed;
- Surge L-N:4KV, L/N-FG:2KV
- 7 Years warranty,lifespan>50,000hrs.

Specification Sheet

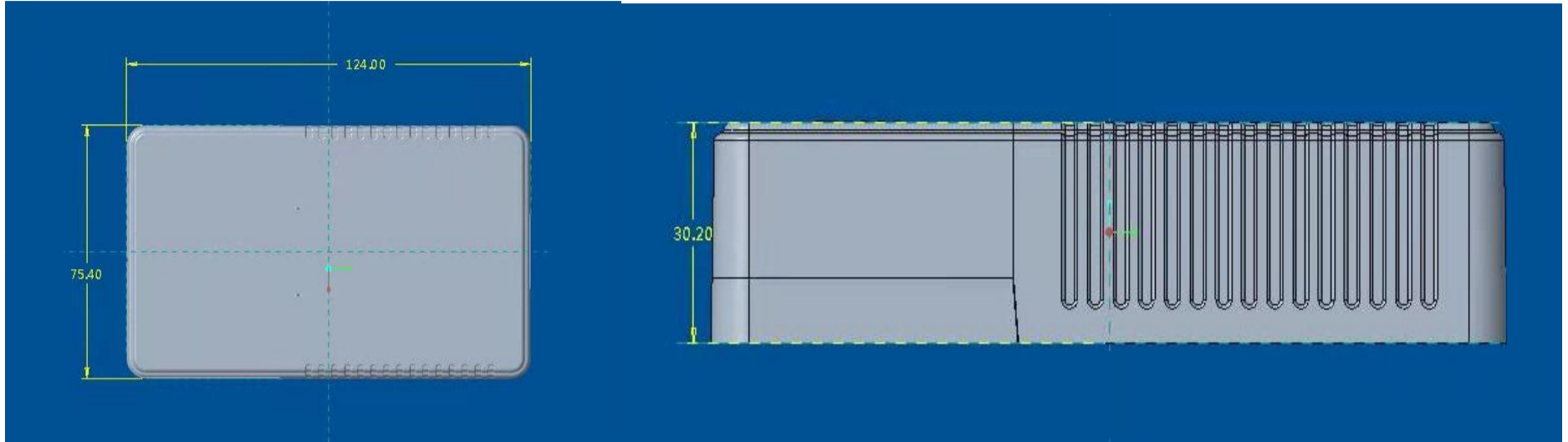
Item	Parameters	
Output	Output current	650-1100mA
	Output voltage	3-43VDC
	Current precision	3%
	Output Power	50W Max
Input	Input Voltage Range	185-265V AC
	AC Current(Typ)	0.145A-0.245A@220VAC
	Frequency Range	50/60Hz
	Power factor	PF>0.95(typ)
	Full-loading Efficiency	>90%@full load
Protection	Short Circuit	Short circuit protection / Over voltage protection/Over temperature protection
	Over Voltage	<270VAC
Environment	Operation Temperature	_20_45°C
	Operation Humidity	20-90%
	Storage	-40+85°C, 10-95%RH
	Temperature Coefficient	±0.03%/°C(0~50°C)
	Vibration Resistance	10~500HZ,2G 10Min/period,X、Y、Z line per 60 mins
Safety&EMC	Standard	Refer to EN 61347-1;EN 61347-2-13; EN 62493
	Withstand Voltage	I/P-O/P:3.75KVAC
	Insulating Strength	I/P-O/P:400M Ω/500 VDC/25°C/70%RH
	EMC Emission	To Correspond EN55015,EN61000-3-2(≧ 50% load)
	EMC Immunity	To Correspond EN55015,EX61000-4-2,3,4,5,6,8,11,A Level of light industry standard(Surge 4KV)
Other	Weight	200g
	Dimension	124x75.4x30.2mm (L*W*H)
	Material	94V-0 PC fire retardant
	Color	white
	Packing	44.5*28.5*17cm/50pcs

NOTE

All parameters are measured at normal temperature(25-28°C)  
 1、Ripple & Noise are measured at 20KHz of bandwidth by using a 12" twisted pair-wire terminated with a 0.1 uf & 47uf parallel capacitor(@ full load).  
 2、The efficiency measured at Max output voltage,and 230VAC with full load,if with 110VAC the efficiency will be lowered 0.5%~1.5%;Working 1~2 hours,efficiency will be higher 1.5%~1%than the initial stage.

Multiple-Stage Constant Current Mode LED Driver

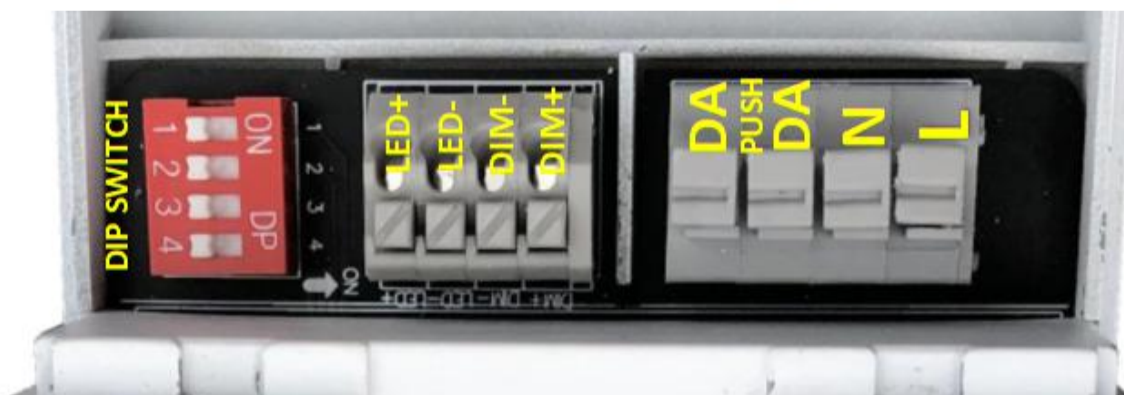
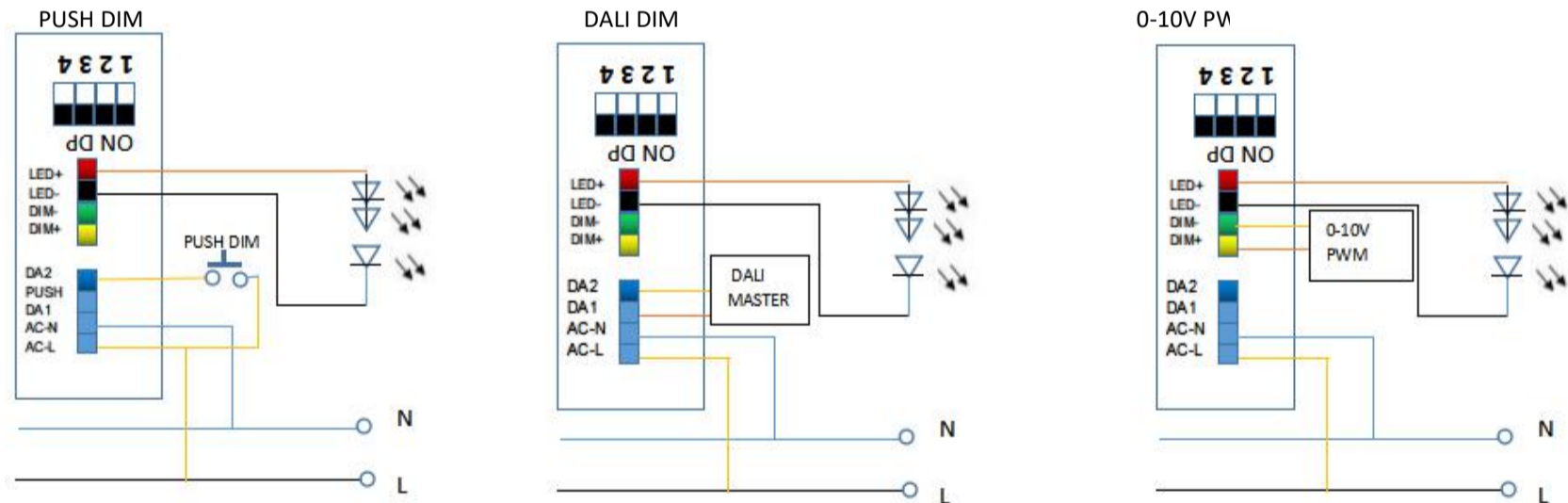
Mechanical Specification



Output current and setting table

Pin	VoDC	Io DC	P out	1	2	3	4
32W	3-43VDC	650mA	28W	/	/	/	/
34W		700mA	30.1W	ON	/	/	/
37W		750mA	32.3W	/	ON	/	/
39W		800mA	34.4W	/	/	ON	/
42W		850mA	36.6W	ON	/	ON	/
44W		900mA	38.7W	/	ON	ON	/
46W		950mA	40.9W	/	/	ON	ON
49W		1000mA	43W	ON	/	ON	ON
51W		1050mA	45.2W	/	ON	ON	ON
54W		1100mA	47.3W	ON	ON	ON	ON

Wiring diagram



※ 4 in 1 dimming function ·Output constant current level can be adjusted by applying one of the three methodologies between DIM+ and DIM-: 0 ~ 10VDC, or 10V PWM signal or resistance, DALI . Direct connecting to LEDs is suggested. It is not suitable to be used with additional drivers. ·Dimming source current from power supply: 100µA (typ.)